



Installation Guide

Sound Barrier

As a result of our AliWood Pty Ltd constant product improvement program, product changes may occur. As such, AliWood Pty Ltd reserves the right to change product without prior written notification.

Introduction

This guide will show you how to manufacture & install the AliWood Sound Barrier System.

IMPORTANT

Please read all the instructions prior to starting the installation of your Sound Barrier. Understanding the process correctly will be the difference between a good and great result.

The recommendations detailed in this guide produced by AliWood Pty Ltd are formulated along the lines of good building practice. They are not intended to be an exhaustive statement of all the relevant data. Further, as the success of projects depend on factors outside the control of AliWood Pty Ltd (e.g. quality of workmanship, particular design, detail requirements, etc). Aliwood Pty Ltd accepts no responsibility for, or in connection with, the quality of the projects or their suitability when completed.

Tools Required:



Drop Saw



Tape Measure



Spirit Level



Driver Bit



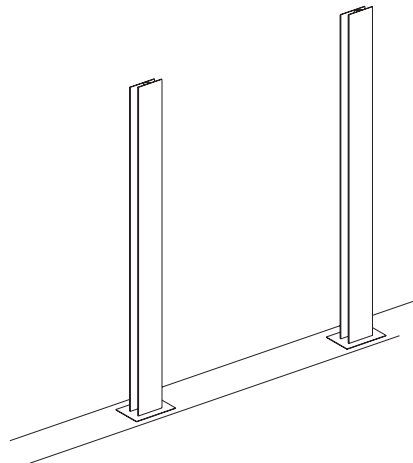
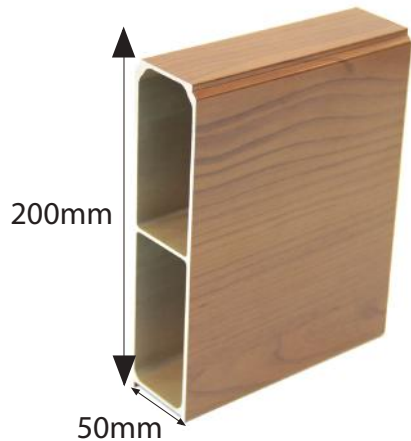
Drill / Driver



Installation

Step 1

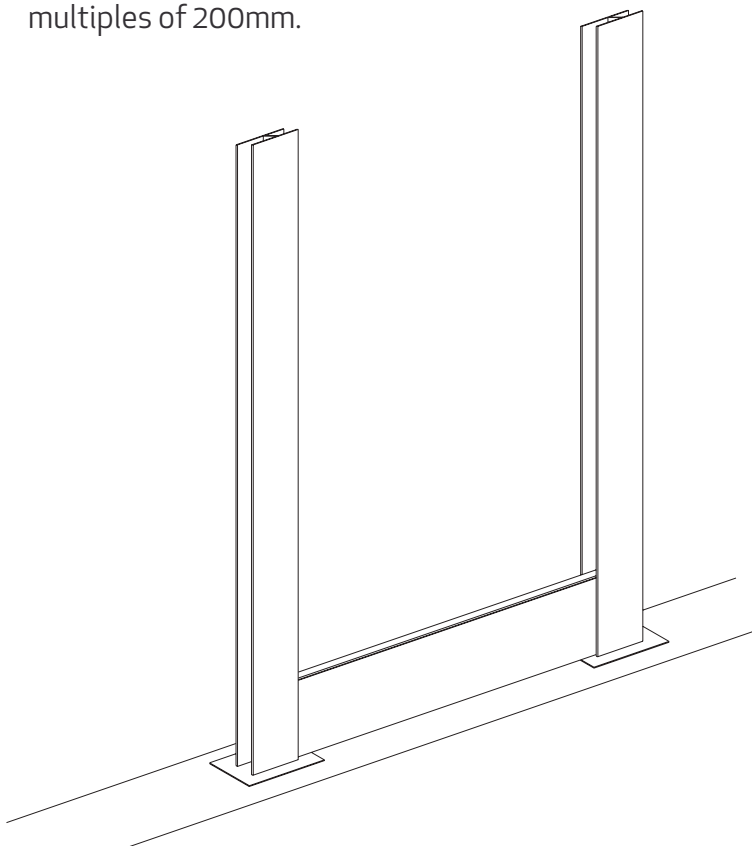
Once your posts have been set into the ground or dynabolted onto the concrete, the sound barrier pieces can be installed.



Step 2

Place the first SB slat into the groove of the posts and ensure the piece is level to the ground.

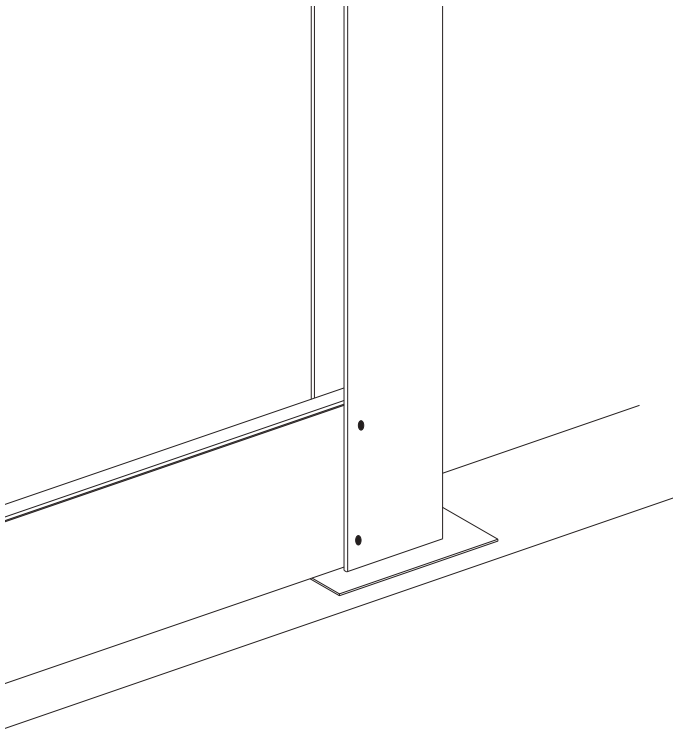
Hint: Be aware of where the last slat will finish, so consider measuring down from your top height in multiples of 200mm.



Installation

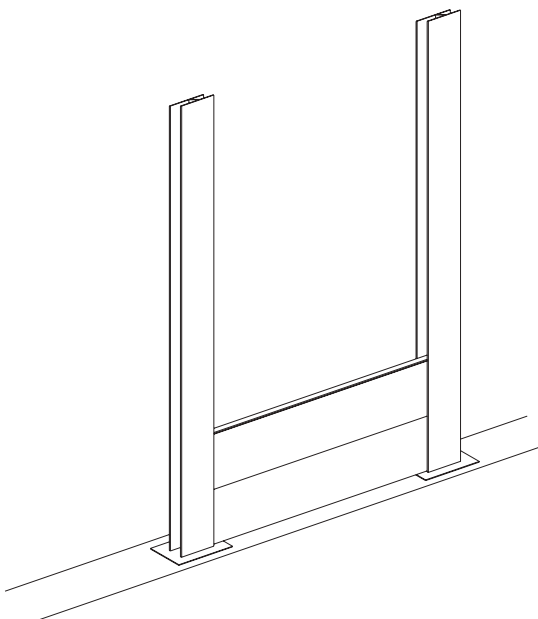
Step 3

After making sure the Sound Barrier piece is level, use the AliWood screws to fix the Sound Barrier piece to the post.



Step 4

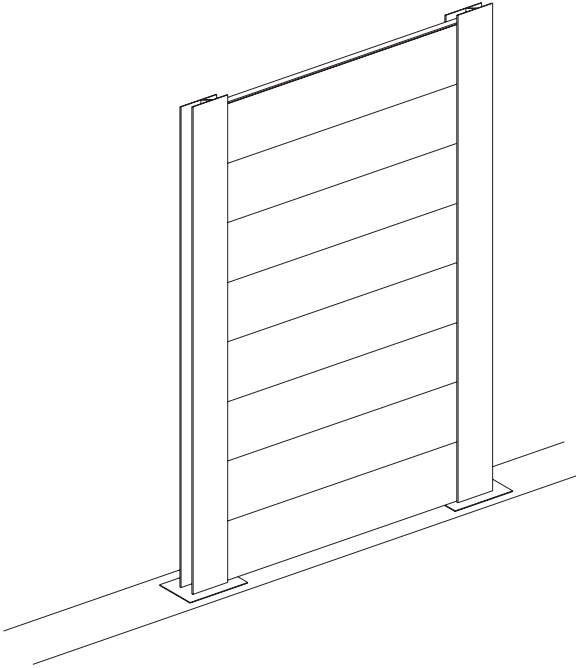
Place the next piece of Sound Barrier on top of the first fixed piece and click the extrusion together.



Installation

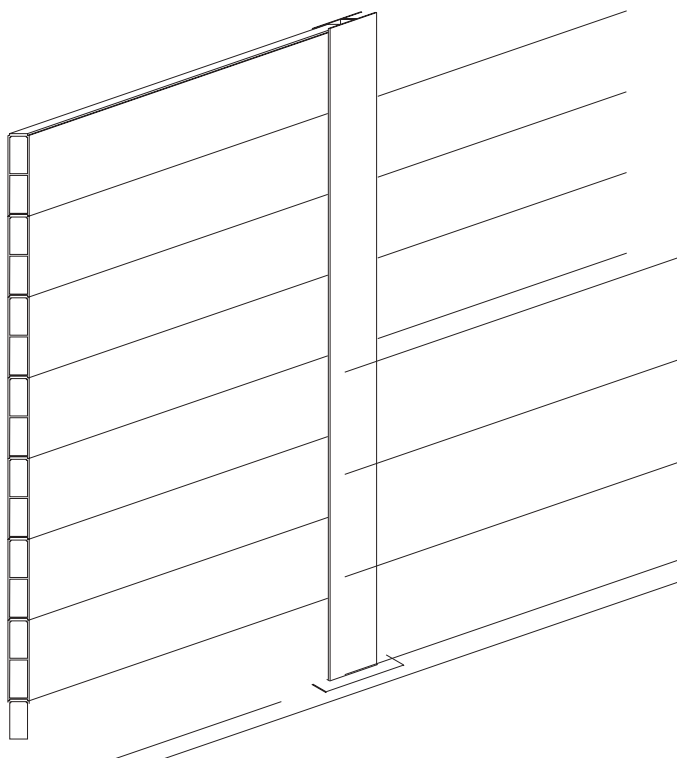
Step 5

Once the second piece is in place, repeat this step until the Sound Barrier reaches the top of the post



Step 6

Screw the Sound Barrier piece at the top of the now created wall. This will prevent any of the Sound Barrier pieces below from moving or being removed.



Completed Projects



AliWood™

Looks like real wood

+61 3 5831 2574

+61 3 5831 2575

sales@aliwood.com.au

www.aliwood.com.au

445-447 Goulburn Valley Hwy Shepparton VIC 3631

PO Box 6458 Shepparton VIC 3632

ABN 25 613 779 025